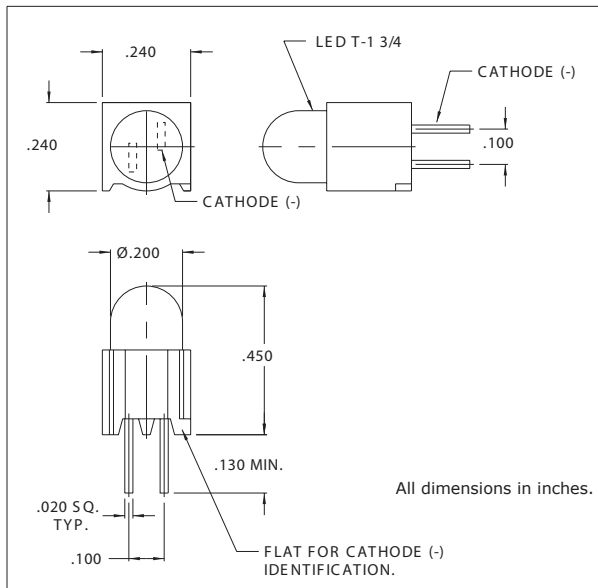


## 5381 Series T-1 3/4 Vertical LED Assembly

### Description and Features



#### Features

- Block mounting, low profile design, height & space alignment-saves assembly costs.
- SuperBriteLEDs
- Standoffs prevent flux entrapment.
- Low current-only 2mA needed.
- Built-in resistor chip-operates directly off 5 Volt supply without external resistor.
- RoHS Compliant

Housing: Black Nylon, UL94V-O

Note: Alternate LEDs are also available in this package as a standard variation.

Refer to "Mounting Hole Pattern 2.pdf"

## Electro-Optical Characteristics and Ratings

| PartNumber | Emitted Color | Typical Intensity (mcd) | Rated Current (mA) | Continuous Forward CurrentMax. (mA) | ForwardVoltage |          | PeakForward Current@ 1ms-300PPS (A) | Reverse Breakdown VoltageMin. (V) | Peak Wavelength (nm) |
|------------|---------------|-------------------------|--------------------|-------------------------------------|----------------|----------|-------------------------------------|-----------------------------------|----------------------|
|            |               |                         |                    |                                     | Typ. (V)       | Max. (V) |                                     |                                   |                      |
| 5381H1     | Red           | 6.3                     | 10                 | 60                                  | 2.0            | 3.0      | 1.0                                 | 5                                 | 650                  |
| 5381H3     | Amber         | 10                      | 10                 | 60                                  | 2.0            | 3.0      | 1.0                                 | 5                                 | 608                  |
| 5381H5     | Green         | 10                      | 10                 | 60                                  | 2.2            | 3.0      | .09                                 | 5                                 | 563                  |
| 5381H7     | Yellow        | 10                      | 10                 | 60                                  | 2.1            | 3.0      | 1.0                                 | 5                                 | 585                  |
| 5381H1LC   | Red           | 2.3                     | 2.0                | 7                                   | 1.8            | 2.2      | .007                                | 5                                 | 635                  |
| 5381H5LC   | Green         | 2.3                     | 2.0                | 7                                   | 1.8            | 2.2      | .007                                | 5                                 | 565                  |
| 5381H7LC   | Yellow        | 2.1                     | 2.0                | 7                                   | 1.9            | 2.7      | .007                                | 5                                 | 583                  |
| 5381H1-5V  | Red           | 8                       | 10                 | 15                                  | 5              | 7.5      | -                                   | 5                                 | 635                  |
| 5381H3-5V  | Amber         | 8                       | 10                 | 15                                  | 5              | 7.5      | -                                   | 5                                 | 583                  |
| 5381H3-5V  | Green         | 8                       | 10                 | 15                                  | 5              | 7.5      | -                                   | 5                                 | 565                  |